

THE FOLLOWING PAGE CONTAINS THE CONNECTION DETAILS

It is your responsibility to ensure that the transducer identification matches the connection details, including any RDP modification (T.M) references.

Please ensure that the transducer has not been modified or fitted with a cable or extension.

Particularly on DC-DC powered transducers, incorrect connection may cause **IRREPERABLE DAMAGE** to the transducer which is **NOT COVERED BY WARRANTY**

**IF YOU ARE IN ANY DOUBT PLEASE CONTACT US**

DESPATCH:- INCLUDE CD1023 IF TRANSDUCER HAS NO CABLE FITTED.



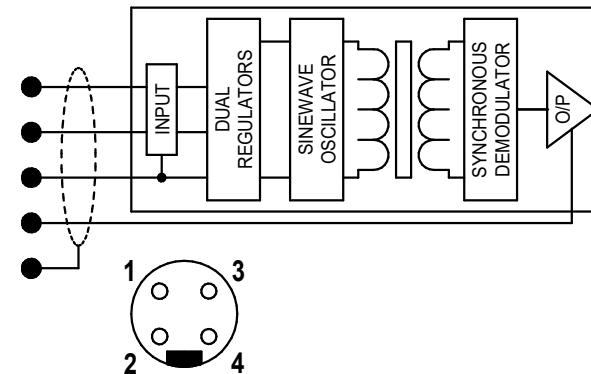
## DCWH SERIES (CABLE OPTIONS 6 & 9)



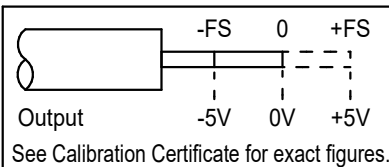
### CONNECTION DETAILS

Dual Supply	WIRE/PIN	Single Supply *	WIRE/PIN
+12 to +18V Input	RED/1	24 to 36V Input (Vs)	RED/1
-12 to -18V Input	BLUE/3	Supply Common	BLUE/3
0V Common I/P, O/P	GREEN/4	Output Common **	GREEN/4
Output	YELLOW/2	Output	YELLOW/2
Instrument Ground	SHIELD	Instrument Ground	SHIELD

\* SUPPLY MUST BE FULLY FLOATING  
\*\* OUTPUT COMMON FLOATS AT Vs/2



**LOAD IMPEDANCE:** 2k (min.) Ohms with dual supply.  
20k (min.) Ohms with single supply.  
**SUPPLY:** Smooth d.c. voltage 25mA typical



**NOTE :** INCORRECT CONNECTION MAY CAUSE IRREPARABLE DAMAGE  
CONTACT OUR SALES DEPARTMENT IF YOU REQUIRE ASSISTANCE  
For transducers without cable see CD1023 for fitting instructions.

**RDP U.K.**  
Tel 01902 457512  
Fax 01902 452000



MADE IN THE  
UNITED KINGDOM

Doc. Ref. WDUK1853  
ISSUE 1 - 16 OCT 2019

**RDP U.S.A.**  
Tel 610 469 0850  
Fax 610 469 0852